



## Wellness area

Planning, design and installation of pre-fabricated elements on the construction site



Reference

elldus resort (former Ferienpark Oberwiesenthal)

Customer

Ferienpark Oberwiesenthal GmbH

Location

Crottendorf, Germany

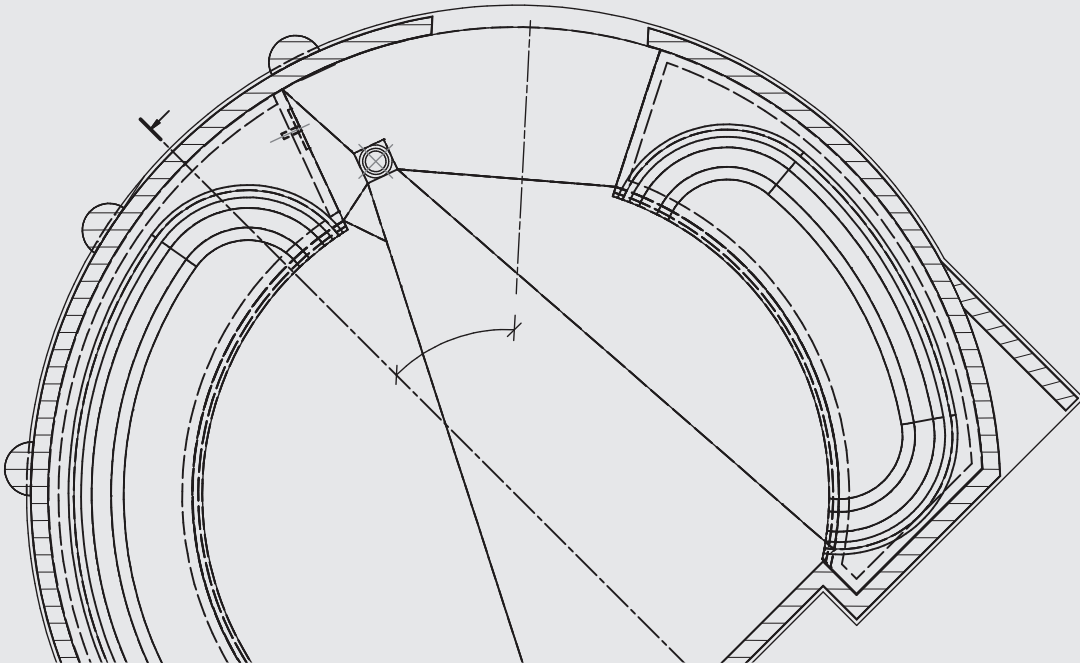
Year

2015

Project type  
**New build**

The Oberwiesenthal holiday park was upgraded with the addition of a large wellness area. Alongside traditional saunas, a steam bath, a caldarium and various stimulation showers were installed.

Architect Luft Gesamtplan GmbH  
Client Ferienpark Oberwiesenthal GmbH  
Contractor Fliesen Klemm GmbH, Rechenberg-Bienenmühle





Brief description

## elldus resort

The elldus resort offers both apartments and holiday homes, a wide variety of leisure programmes and relaxing well-being and wellness offers. Guests can cater for themselves in the apartments or make use of the on-site restaurant.

All in the highest altitude town in Germany. The spa town of Oberwiesenthal is located in the Saxon Ore Mountains area right at the bottom of the Fichtelberg and offers the perfect setting for winter sports fans, active holidaymakers, nature-lovers and people looking for relaxation.



Products used

## Basic products

-

Products used

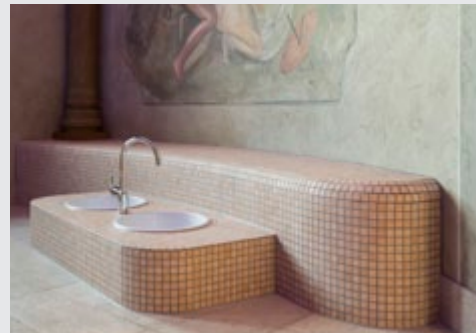
## Individual products

Steam bath, caldarium, benches and seating elements, cladding for a plunge pool, various stimulating showers, cladding and decoration elements

Products used

## Plug & play systems

-





## Special Requirements

Delivery of all components on schedule

High level of prefabrication

Accuracy of fit





